



## MC Multipurpose Cell

Modular cell concept for dispensing, joining, assembling, and testing

### Automation in the smallest of spaces

The universal RAMPF MC Multipurpose Cell is precisely tailored to customer needs and facilitates series production using a modular system with a minimal footprint. Building on the various cell sizes available, its modular design means we can expand the MC to include dispensing technology, small robots, linear axes, conveyor belts, and rotary indexing or sliding tables. Customized technology for joining, assembling, and testing creates a space-saving automation concept available as a stand-alone solution or production line. Choose between systems from Siemens and Beckhoff for the controls.



#### Added value

- Flexible and compact automation solutions for sealing, casting, and bonding
- Variable cell sizes for a wide range of applications
- Available as a stand-alone concept or production line
- Intuitive operation via RAMPF HMI
- Controls from Beckhoff and Siemens
- Time-saving installation and commissioning



#### Dispensing technology

- Integration of 1- or 2-component dispensing systems incl. material preparation
- Dispensing of all mixable materials, from liquid to paste-like
- Material supply from cartridges, canisters, or 200-liter-drums



#### Equipment

- Dispensing technology combined with assembly and testing technology, surface activation (plasma)
- Small robots, linear axes, conveyor belts, lifting doors, light grids
- Rotary indexing, sliding, and work tables
- Large-size touchscreen or mobile panel
- CNC gantry carriage with various travel ranges

# RAMPF automation competence in the smallest of spaces

**Cell sizes** (W x D in mm; H 2300)

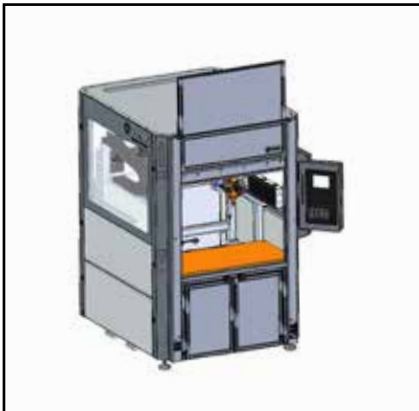
**1300 x 1800**

**1600 x 1800**

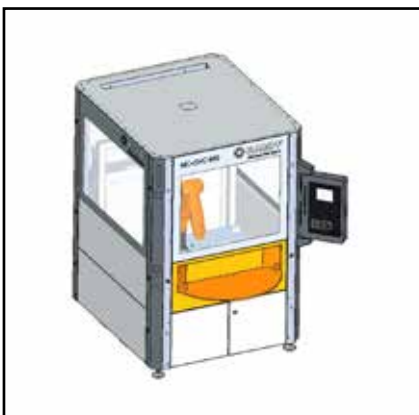
**1800 x 2300**



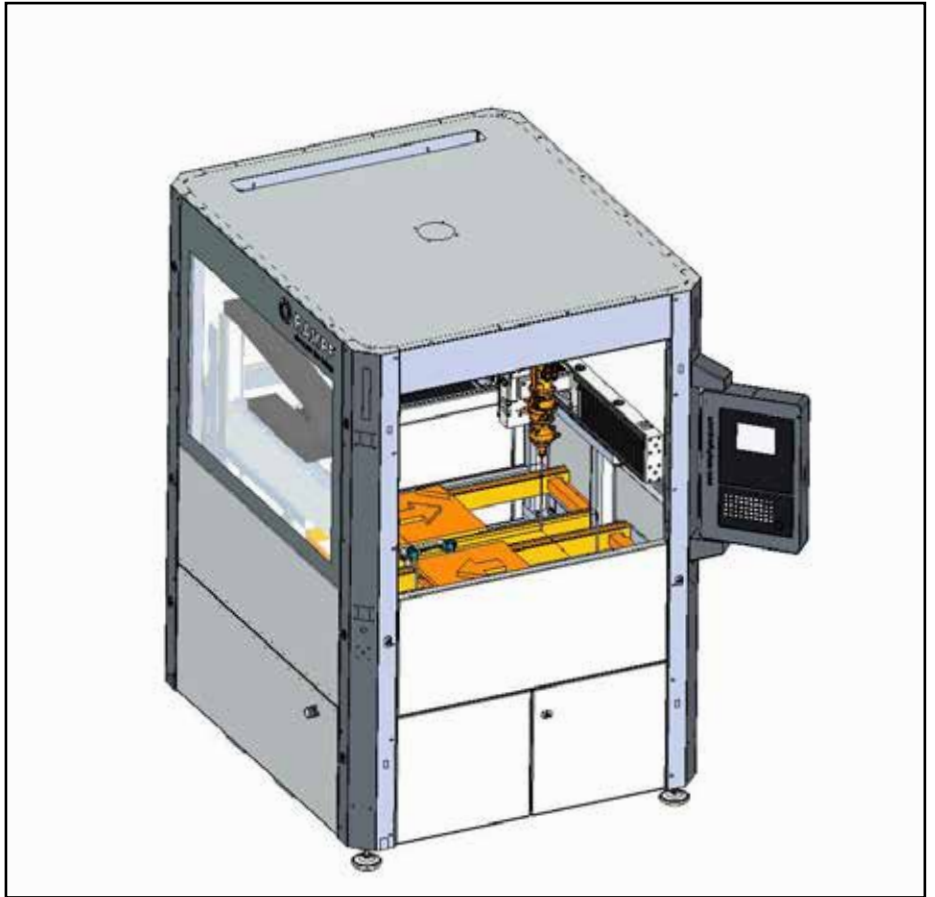
**Features and extensions (available for all cell sizes)**



Work table carriage 800x500x300



Rotary indexing table with robot



Conveyor belt 800x500x300

**RAMPF** Production Systems GmbH & Co. KG

Römerallee 14 | 78658 Zimmern o. R. | Germany

T +49.741.2902-0

E [production.systems@rampf-group.com](mailto:production.systems@rampf-group.com)

[www.rampf-group.com](http://www.rampf-group.com)